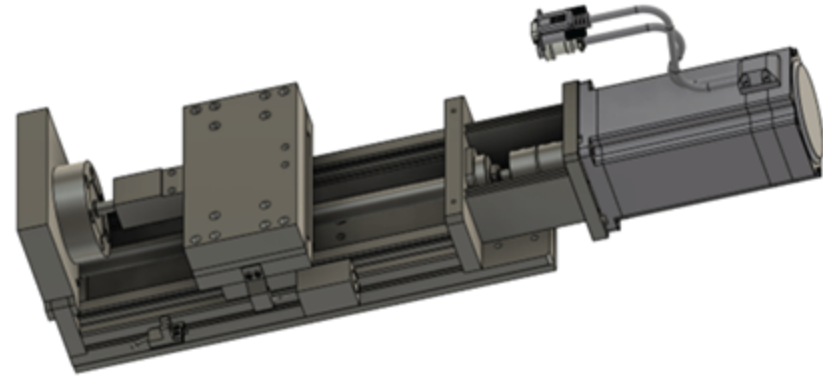


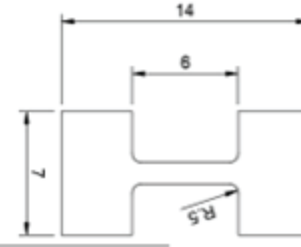
# MiniTensile

Compact Tensile Testing  
for **Small Samples**



PRICED AT

**\$10,000**



## WHY MINITENSILE



Designed for miniature tensile specimens



Compact linear actuator-based testing system



Precision force and displacement measurement



Ideal for limited material, AM coupons, and research samples



Designed for fast setup and lab-scale testing

## APPLICATIONS



ADDITIVE  
MANUFACTURING  
COUPON TESTING



NOVEL ALLOY  
DEVELOPMENT



HEAT TREATMENT  
COMPARISON



SMALL-BATCH  
R&D TESTING



MECHANICAL  
PROPERTY  
SCREENING



## PRECISION MINIATURE TENSILE TESTING

Designed for research, alloy development, and mechanical property screening